

NEW PRODUCT

PAR-46 Replacement SUPER-LED® SPOTLIGHTS

LIGHTHEADS

PAR-46 Super-LED Spotlights are rated to last 50,000 hours and provide remarkably bright light.

Designed especially for the Unity® Spotlight, PAR-46 Super-LED lights are a drop-in replacement for outdated halogen lamps. Lightweight, low-current and water resistant, they provide stable light output for thousands of operating hours.

FEATURES

- 12 VDC Super-LED spotlights draw only 2.3 amps and provide more lumens per watt than traditional sources:
Whelen PAR-46 Super-LED 2° Spotlight
2000 Lumens
30 Watts
Whelen PAR-46 Super-LED 8° Spotlight
1800 Lumens
30 Watts
Traditional Halogen Lamp
1000 Lumens
50 Watts
- Installs easily in minutes.
- Reverse polarity protected.
- Replaceable hard coated polycarbonate lens provides increased durability and longevity.
- Heavy-duty black powder coated die-cast aluminum heatsink.
- Industry standard brass slotted head connection point.
- Patent Pending:
Internal thermal regulator maximizes the lifespan of the LED diodes. Internal circuitry and unique optics provide an intense and even circular lighting pattern.
- Ventilation system eliminates moisture build-up.
- Unit weighs only 1lb.
- SAE J1113-42 Class 5 EMI certified.
- Emits zero EMI.
- Five-year HDP® Heavy-Duty Professional warranty.



P46FLC
8° Spotlight



P46SLC
2° Spotlight



MODELS

- P46SLC**.....PAR-46 Super-LED
2° Spotlight, White
- P46FLC**.....PAR-46 Super-LED
8° Spotlight, White

WHELEN®

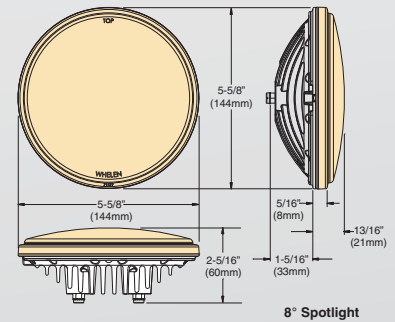
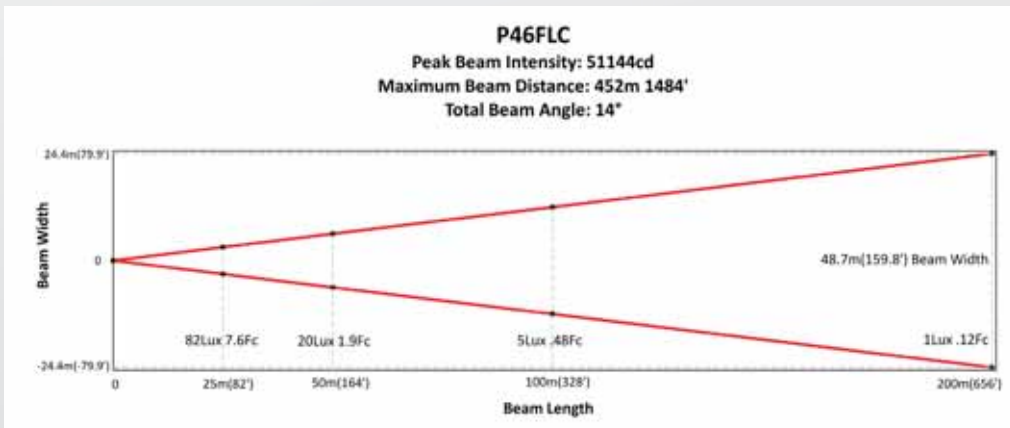
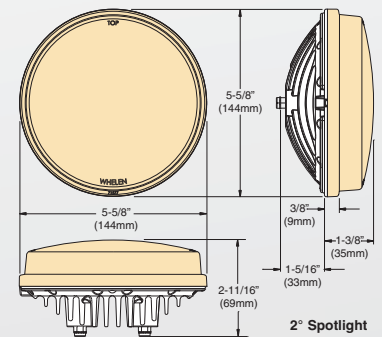
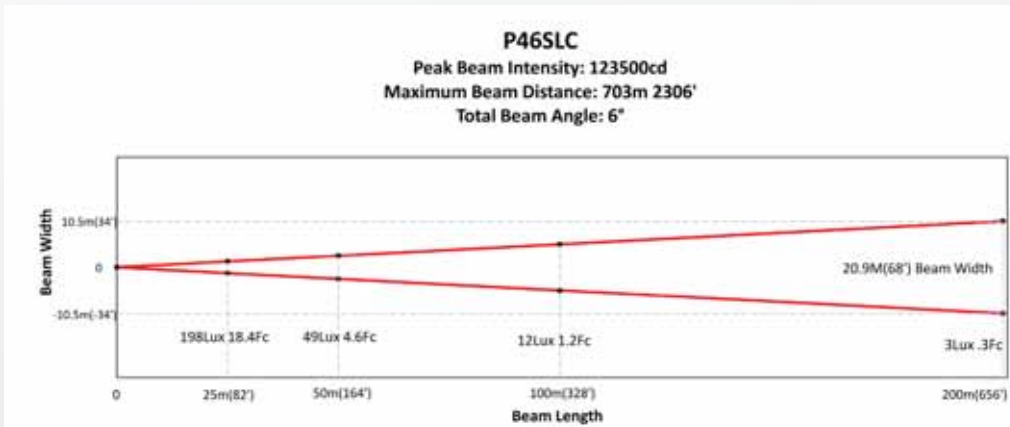
PAR-46 Replacement



Comparison showing typical 50 watt halogen lamp on left and PAR-46 2° Super-LED Spotlight on right.



Comparison showing PAR-46 8° Super-LED Spotlight on left and PAR-46 2° Super-LED Spotlight on right.



WHELEN®
ENGINEERING COMPANY, INC.

51 Winthrop Road
Chester, Connecticut 06412-0684
(860) 526-9504 • Fax: (860) 526-4078
www.whelen.com

Whelen Engineering reserves the right to upgrade and improve products without notice.
© 2011 Whelen Engineering Company, Inc. Printed in U.S.A.
NASCAR® is a registered trademark of the National Association for Stock Car Auto Racing, Inc.
Code No. 12381B - 02/11